



Nüsing wall ^{NEW} Eco 100

The simple movable wall solution.

Nüsing – movable wall technology

Quite simply convincing.

Nüsing wall ^{NEW}Eco 100

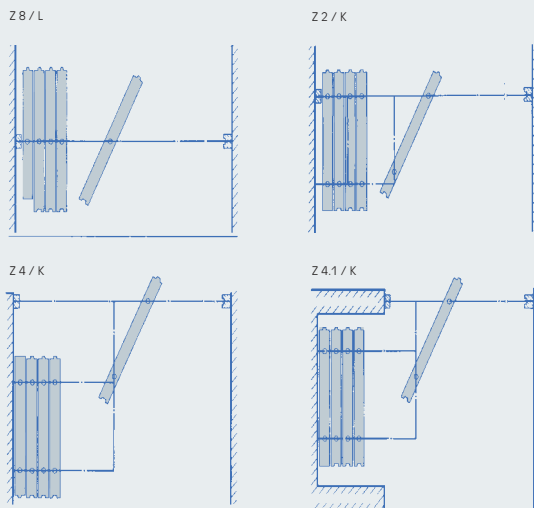
Sometimes less is simply more. Not really every room cries out for a movable wall solution, which has unlimited scope for designs and optional fittings.

Every room does, however, shout out for a movable wall solution of the highest quality, with a high degree of functionality and easy-handling. We have been able to fit the bill in the shape of our ^{NEW}Eco 100. It gives you a comfortable, fast and easy-to-use solution with the usual tried and tested Nüsing brand quality.

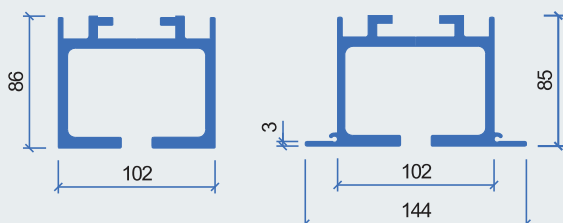
- Vertical aluminium profiles with integrated seals ensure strong inter-panel joints.
- Frameless light-weight construction with functional height adjustment
- Seal pressure 1.500 N
- PVC-door flush ring handle in the doors

Let us convince you that the Nüsing movable wall ^{NEW}Eco 100 is our cost-efficient solution for your professional needs.

■ Panel stacking possibilities:



- **Tracks:** Aluminium RAL 9010 white powder-coated, ceiling support angle in the same colour at no extra cost.



Quality at an attractive price.

- **Panels:** standard panels, door panels, telescopic panels
- **Dimensions:** panel thickness: 100 mm
panel width: max. 1.280 mm
- **Pressure seals:** Extendable aluminium seals with double seal profiles at the top and the bottom of panels
- **Operating:** Panels are moved manually and locked into position with the delivered crank handle
- **Inter-panel joints:** Aluminium tongue and groove profiles in natural anodised E6/EV 1
- **Type EP (Exposed Profile):** Vertical panel edges protected by aluminium returns
- **Type CP (Concealed Profile):** Vertical panel edges to match the rest of panels; when wall is closed, no aluminium profiles visible
- **Sound insulation to DIN EN 20140-3:**
Up to Rw, P 48 dB, standard version Rw,P 39dB
- **Surfaces/Cladding:** melamine coated chipboard 16 mm E1/V20 to DIN EN 14322

■ Available decors:



*RAL colour shades are similar to the original colour chart.



Franz Nüsing GmbH & Co. KG
Borkstraße 5 · 48163 Münster

Tel.: 0251 780010

Fax: 0251 7800127 oder 0251 7800145

www.nuesing.com · info@nuesing.com