



Nüsing Visioline Glass Wall –
A clear winner for transparent solutions.



More light – more space.

As one of the world's largest producers of movable wall technology, we, at Franz Nüsing, provide you with just what you need: simple solutions. We, at Nüsing, promise you the most valuable ingredient required for any product: commitment! Not only to the product but also to you. We truly believe the proof of the pudding is in the eating. This is a result of our dedication to quality. The mixture of our tried and tested products, our close and reliable cooperation, means once you've tried a Nüsing wall, nothing else will do.

As your partner, we have only your satisfaction in mind every step of the way: from advising and planning to fitting and service. That's thanks to our vast experience in this field. Indeed, as a family-run business, we have been producing movable walls for over 80 years.

We continually develop our products, forever striving for improvement or even new advancements. In actual fact, some of our unique skills were born out of these developments, making us the market leader in the fields of sound insulation, fire and smoke protection. We pass on this experience and know-how to you with a range of products, which all share quality and functionality at the highest level and an added user value to you.

Simple solutions and benefits galore – Nüsing is your partner for tailored movable wall concepts.



What about our non-transparent solutions: glass walls with a matt surface even give a curved wall a straight look.

A clear divide: with a movable glass wall.

Be impressed with the transparent and flexible solutions our Nüsing Visioline Glass Wall can offer you and make more out of your rooms. Ever wondered what you could make out of your foyer, your canteen, your office, your conference room with a mobile glass wall? Individually catering to your needs and wishes, we work to impress.

Indeed, there are no limits when it comes to the design and functionality. A Nüsing Glass Wall combines all the advantages of modern movable wall technology with the best in materials, architecture and aesthetic interior design.

Simply make more out of your rooms with a Nüsing Visioline Glass Wall.



Look and be impressed.

A real delight indeed: We individually design to blend into your rooms. On top of our standard range of geometric designs: spots, stripes and rectangles, we can delight you with a whole host of different decoration techniques:

- Sand blasted finish to your sample
- Adhesive sheet to your sample
- Stained glass
- Painted glass



Increase your advertising space with a Nüsing Visioline Glass Wall. Whether you would like to design the whole surface or just part of it, our wall will always provide a suitable backdrop and make your rooms stand out.



Transparent and half-transparent walls stir interest on the outside.

On the inside, the rooms still have a sense of security and integrity – It's flexible and easy-to-use.



A work of art on your Nüsing Visioline Glass Wall.

Fancy a work of art on your Nüsing Visioline Glass Wall?
We work together with specialists in glass painting to create
you a real work of art. Here are some we produced earlier.
Simply take a look at these examples and let them inspire you.
Then talk to us about what you would like.



*Is there that little something missing?
Thanks to an individual and sophisticated
Nüsing design your rooms take on their own
own character.*



A real feast for the eyes and at the same time keeping what should be confidential, just that, confidential.

And especially when you close the wall, you can fully appreciate the work of art, creating a harmonious atmosphere from inside and out.



Transparent services.

No one Nüsing Visioline Glass Wall is the same because every project is made-to-measure to make the most of your rooms, both the structural and technical aspects as well as, of course, your wishes.

Our individually co-ordinated work starts long before the actual production of the wall. We always provide free consultation and planning at the beginning of every project. This includes the creation of building plans and technical drawings as well as a concrete offer, so that you have an overview of the budgeting from the outset.

We then take over the complete technical and business side of the project on site. One of our representatives will personally take care of everything for you, right up to the fully completed fitting of your movable wall.



Never hide away your attractively designed room – treat your room to a transparent glass wall.

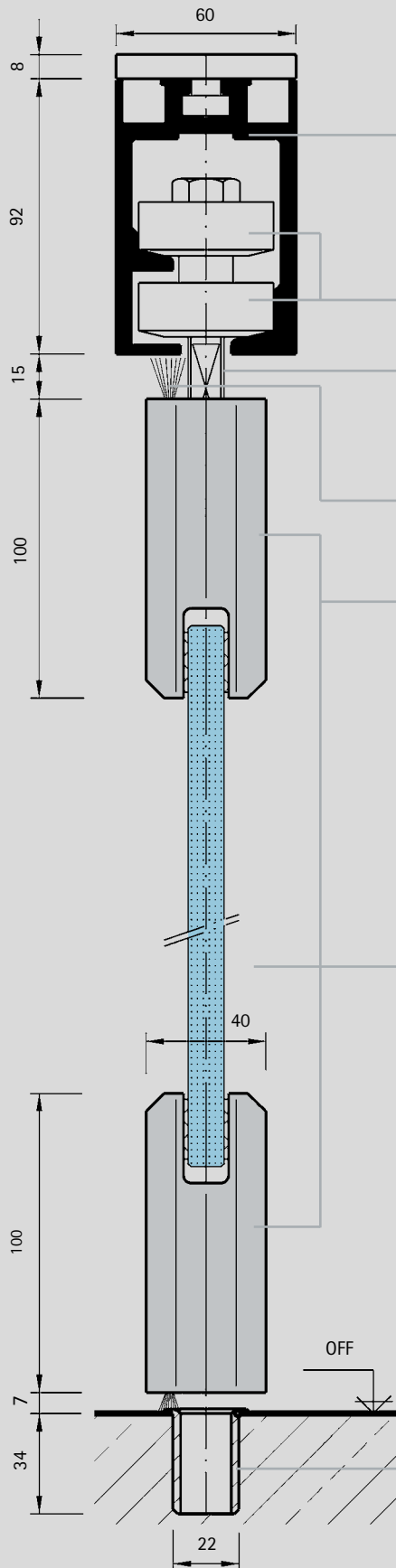


Even with angled joints, you are in safe hands with a Nüsing Visioline Glass Wall.

So even after closing time, your sales areas invite window shopping.

Your customers will love the openness and transparency you create with a Nüsing Visioline Glass Wall

Nüsing Visioline Glass Wall



One system, unlimited possibilities.

- Manual or fully automatic
- Track – powder coated white RAL 9010
60 mm x 92 mm oder 102 mm x 86 mm
- Powder coating in any RAL colour possible
- Double disc ball bearing roller
- Roller bolt, 12 mm
- For panel suspension, self-locking height adjustment mechanism
- Brush seal, one side, top and bottom (optional extra)
- Aluminium profile top and bottom

Optional extras:

- powder coating in all RAL- colours
- anodised E6/EV1
- anodised E1/C31 stainless steel coloured (stainless steel sanded 240 grain)
- floor ferrule in Stainless steel

Glazing

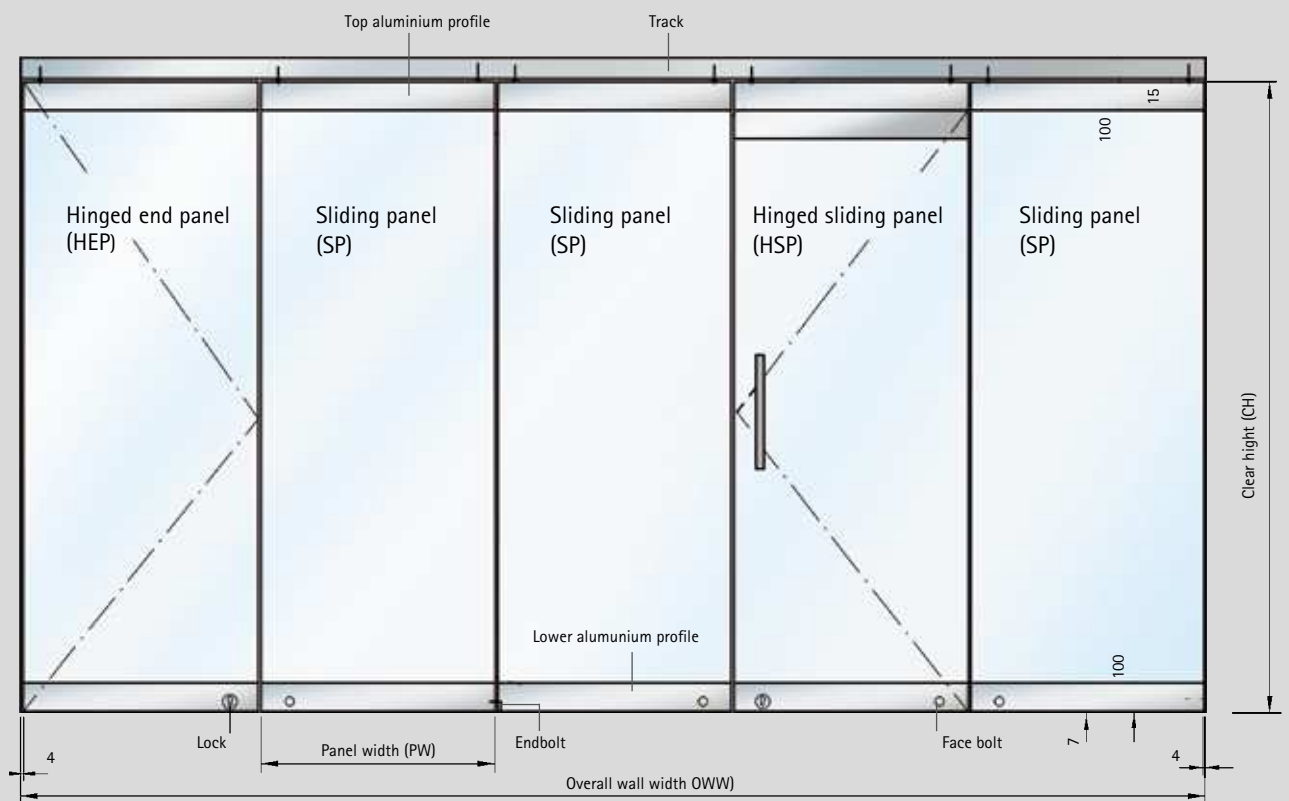
- TSG glass
(Toughened Safety Glass)
Single pane – safety glass (to DIN 1249)
Passive safety glass made by thermal pre-stressing during manufacture.
Glass thickness: 10 mm/12 mm
Weight: 26 kg/m² – 32 kg/m²
Edges: ground and polished
- LSG glass
(Laminated Safety Glass)
Laminated safety glass (to DIN 52290)
Active safety glass made with interlayer (2 x 0,38 mm PVB-sheet).
Glass partially thermally pre-stressed
Glass thickness: 12,76 mm (2 x 6 mm TSG)
Weight: 34 kg/m²
Edges: ground and polished

Panel Types

Dimensions

Panel width min.: 500 mm
 Panel width max.: 1.250 mm
 Panel height up to: 3.000 mm
 (glass thickness 10 mm/weight 26 kg/qm)
 Panel height up to: 4.000 mm
 (glass thickness 12 mm/weight 32 kg/qm)

Panel thickness: 40 mm (aluminium profiles)
 Stack depth: 60 bzw. 90 mm x no. of panels
 Panel suspension: 2 rollers per panel



Types of panels

Hinged end panel:

Locking by either face bolt or cylinder lock in bottom cover plate. Fixed in position.

Door end panel:

As above, but with pull handle or lock/latch

Sliding panel:

Locking by side bolt or face bolt

Hinged sliding panel:

1 or 2 wings, with stainless steel pull handles, locking by face bolt or cylinder lock in bottom cover plate, optional top door closer. When panel height 2500 mm or more with glazed top light and top door closer, clear door height 2100 mm.

For special panels, please enquire

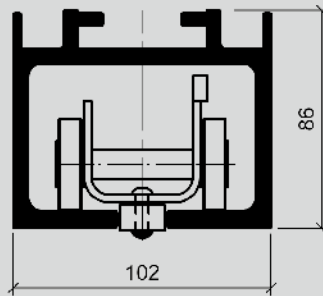
Tracks/L

- Aluminium top track:
Powder coated RAL 9010 white,
with ceiling support angle if required.
- Powder coating available in all
RAL colours

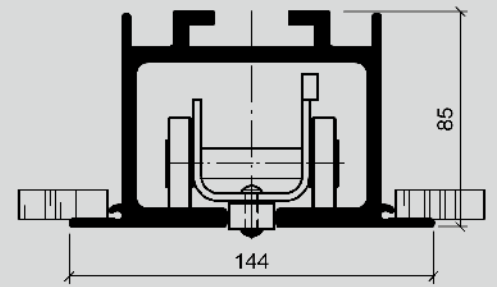
Guide roller trolleys

- Ball bearing roller trolleys for
automatic panel stacking.

Track L



Track L
with ceiling support angle

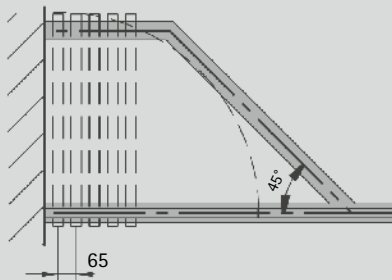


Panel stacking

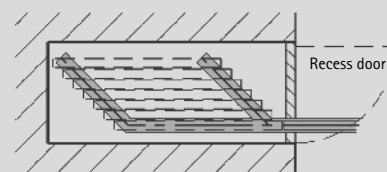
- Guide roller system
- Easy operation with automatic panel
guides into the stacking areas.

The drawings below only show a small selection of stacking possibilities. Many more stacking layouts, specifically designed for individual buildings are possible.

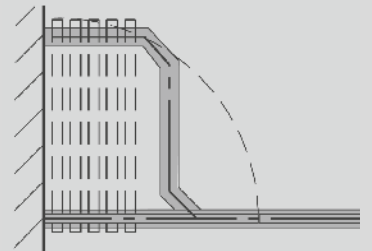
Z 1/L



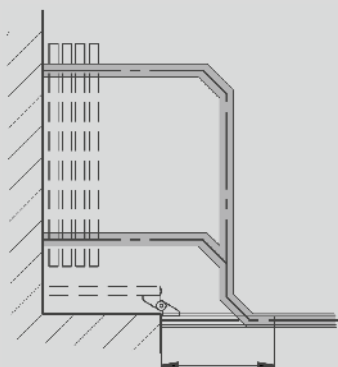
Z 3.2/L



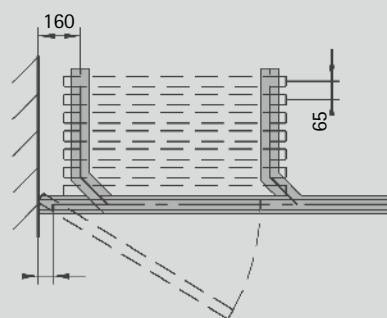
Z 2/L



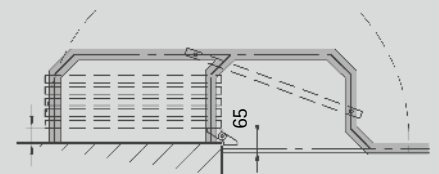
Z 4/L



Z 3.1/L



Z 6/L



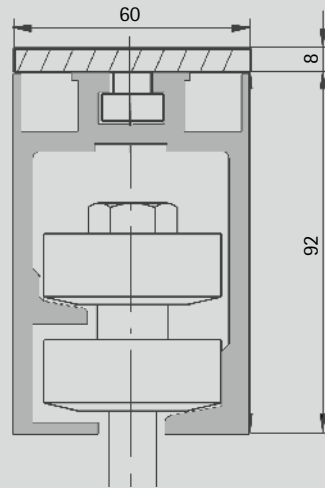
Tracks/K

- Aluminium top track:
Powder coated RAL 9010 white,
with ceiling support angle if required.
- Powder coating available in all
RAL colours.

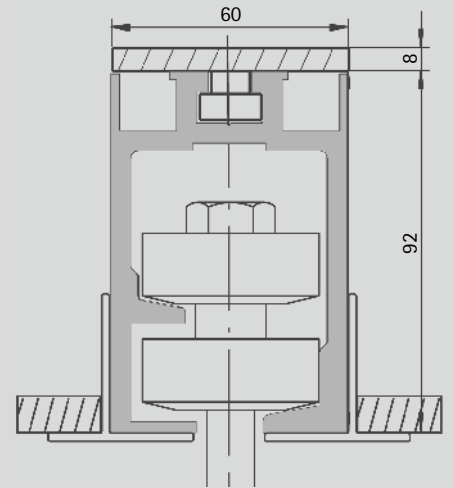
Double roller trolleys

- Ball bearing double roller trolleys.

Track K



Track K
with ceiling support angle

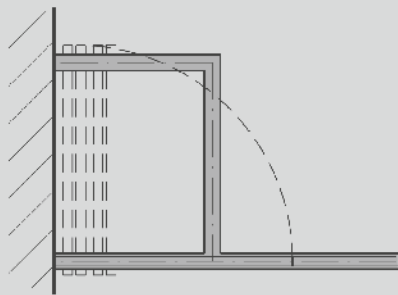


Panel stacking

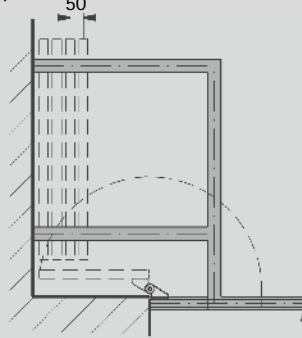
- Cross roller system
- For 90° turns into the stacking area.

The stacking tracks are completely fabricated and installed on site by us. We can therefore guarantee accurate fabrication and ensure easy operation of the panels.

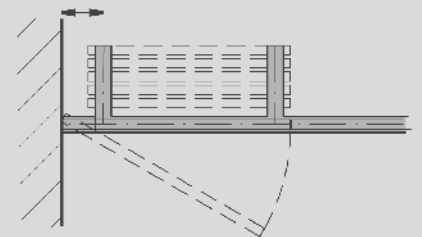
Z 2/K



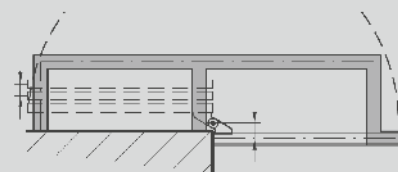
Z 4.1/K



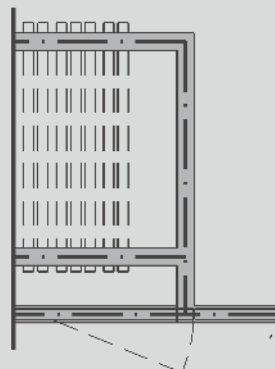
Z 3/K



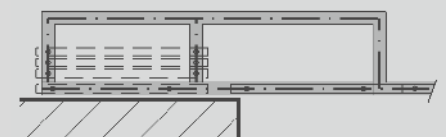
Z 6/K



Z 4/K



Z 17/K

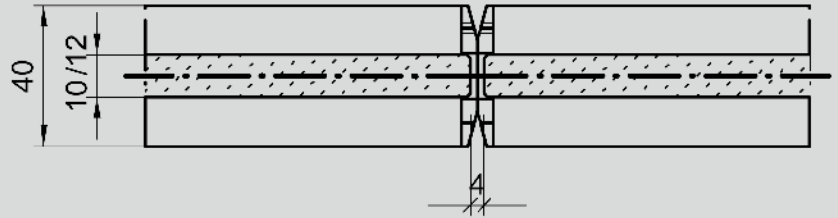


Inter-panel joints

A. Standard, with centre pins,
4 mm gap

A. Standard

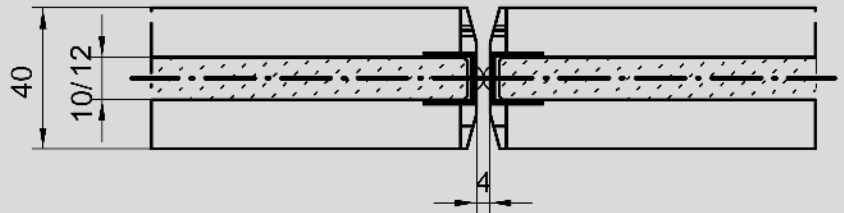
TSG-/LGS glass



B. Edge protection profile
with aluminium U profiles,
powder coated in any RAL colour,
or anodized.

B. Edge protection profile

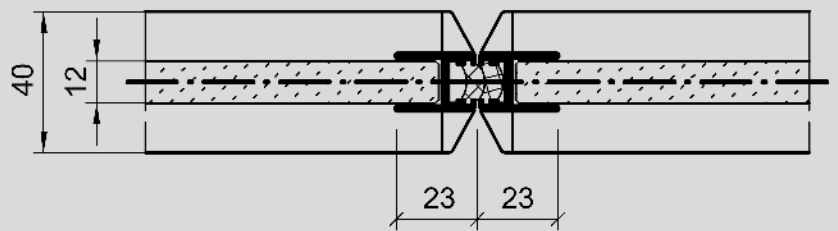
TSG-/LGS glass



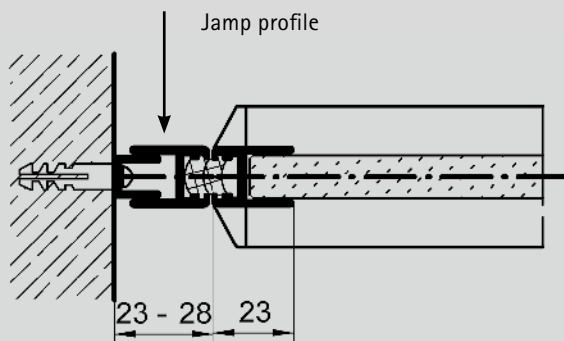
C. Edge protection profile
with aluminium U profile und
Magnet joint strip (optional)
D.0-D.3 powder coated in any
RAL colour, or anodized.

C. Magnetic strip profile

TSG-/LGS glass



The magnetic joint strips prevent draughts and ensure added stability for the panels. The magnetic force exerted is approx. 9N/m.



Safty first

Test certificates



TÜV Test to DIN 31000
For all glass movable walls

The TÜV test involves an annual production control, particularly concerning the safety, stability and durability of our product.

Quality management to DIN EN ISO 9001.2008

Documented quality assurance - from planning to final installation. We work and produce to this quality management system.



Franz Nüsing GmbH & Co. KG
Borkstraße 5
48163 Münster
Germany
Telephone +49 (0)251 780010
Fax +49 (0)251 7800127
+49 (0)251 7800145
E-Mail info@nuesing.com
www.nuesing.com